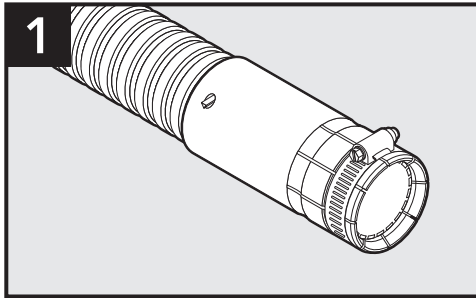
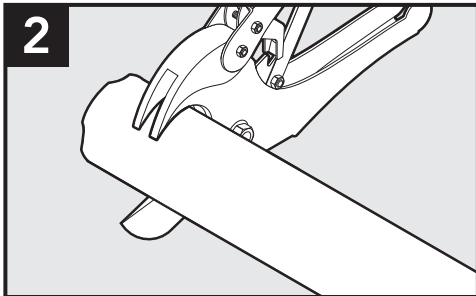


# Smooth-Cor Flex Adapter

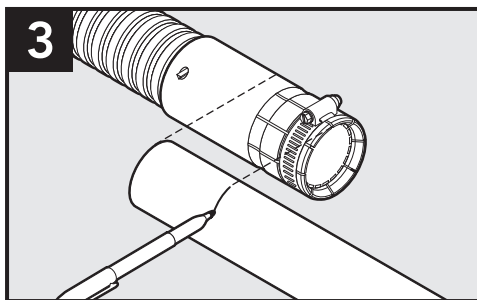
## Installation Instructions



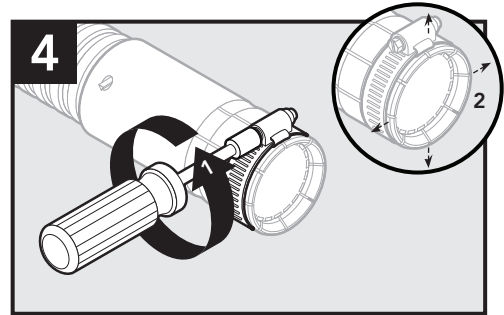
1 Use the Smooth-Cor Flex Coupler directions to properly install the corrugated pipe on the key lock side of the adapter.



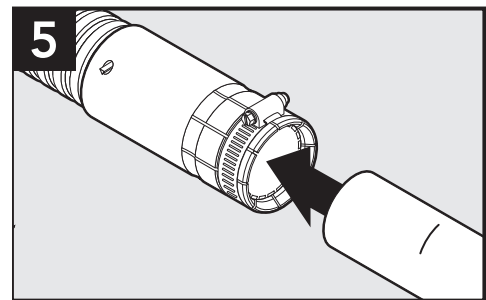
2 For the alternative conduit side, ensure your product has a clean, perpendicular cut.



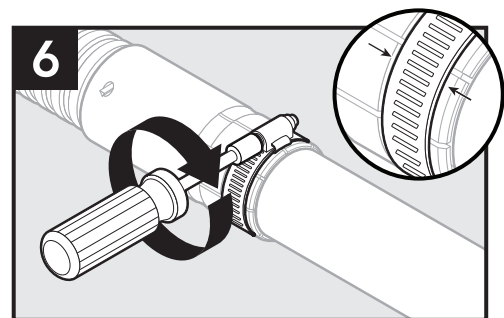
3 Overlap ends of conduit. Place duct at center of coupler and mark at the end.



4 Loosen the band clamp to allow spreading of the split segments on the end of the coupler during insertion.



5 Push conduit into the coupler past the grip ring and O-ring until the mark is aligned with the end of the coupler. This ensures the O-ring is seated properly.



6 Verify the band clamp is positioned in the groove. Hand-tighten using screwdriver or nut driver until snug. Do not over-tighten to avoid damaging the clamp.

Dura-Line Corporation  
11400 Parkside Drive, Suite 300  
Knoxville, TN 37934

