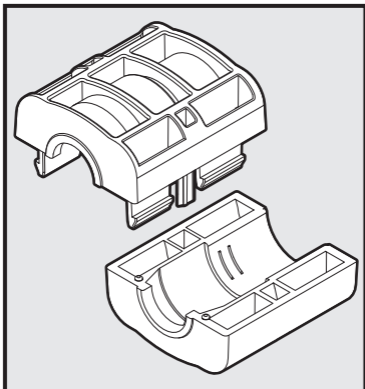


10mm, 12mm

Divisible Duct Seal

Installation Instructions

Package Contents



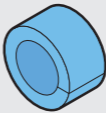
2.5mm-3.5mm*



3.5mm-5.0mm*



5.0mm-6.5mm*



6.5mm-8.0mm*

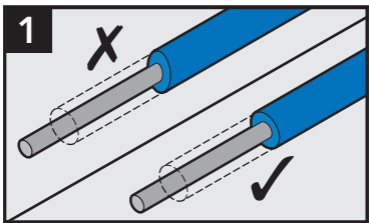
*Cable Outer Dimensions



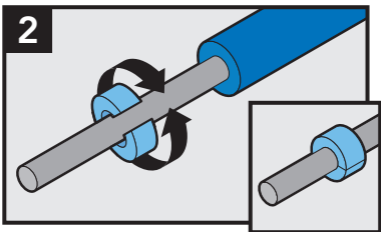
dura·line

www.duraline.com

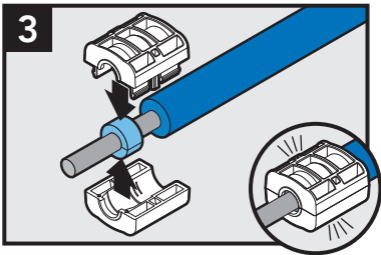
Installation Instructions



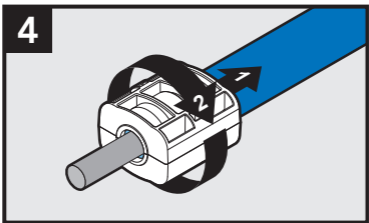
Cut duct straight.



Select required seal and install on cable.



Install cover until it clicks.



Turn connector while pushing towards the duct.