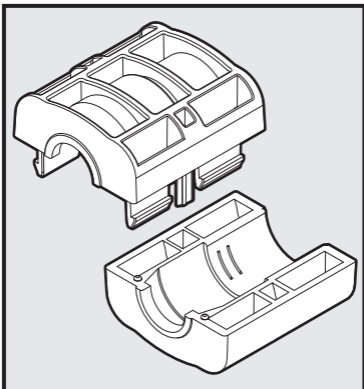


10mm, 12mm

Divisible Duct Seal

Installation Instructions

Package Contents



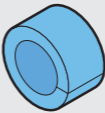
2.5mm-3.5mm*



3.5mm-5.0mm*



5.0mm-6.5mm*



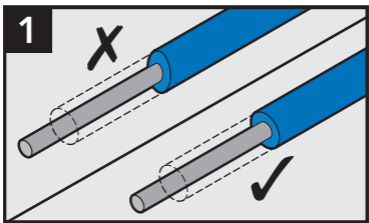
6.5mm-8.0mm*

*Cable Outer Dimensions

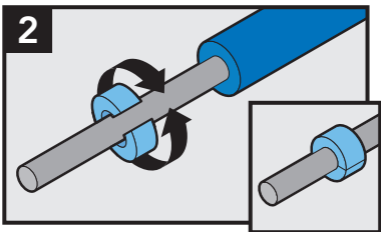


An Orbia Connectivity Solutions business.

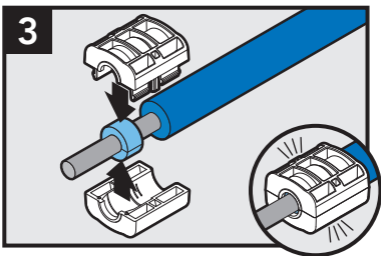
Installation Instructions



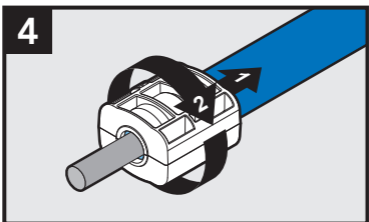
Cut duct straight.



Select required seal and install on cable.



Install cover until it clicks.



Turn connector while pushing towards the duct.