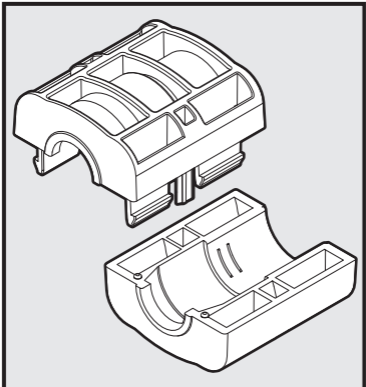


8.5mm

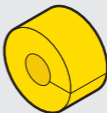
Divisible Duct Seal

Installation Instructions

Package Contents



1.5mm-2.5mm*



2.5mm-3.5mm*



3.5mm-5.0mm*

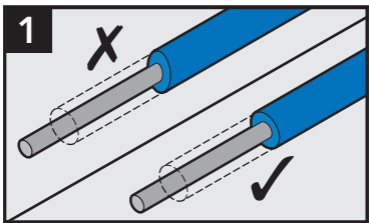
*Cable Outer Dimensions



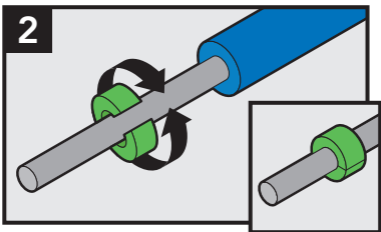
dura·line

www.duraline.com

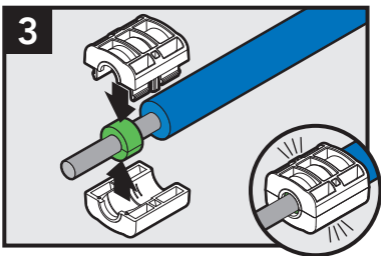
Installation Instructions



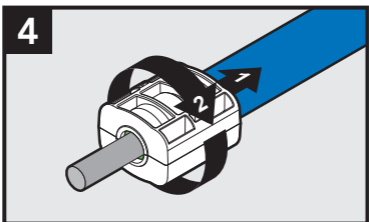
Cut duct straight.



Select required seal and install on cable.



Install cover until it clicks.



Turn connector while pushing towards the duct.