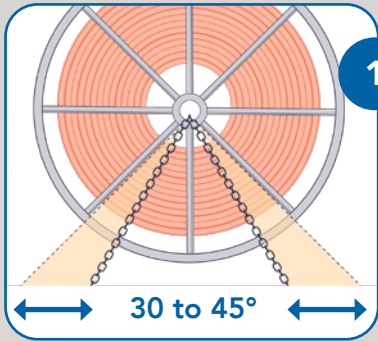




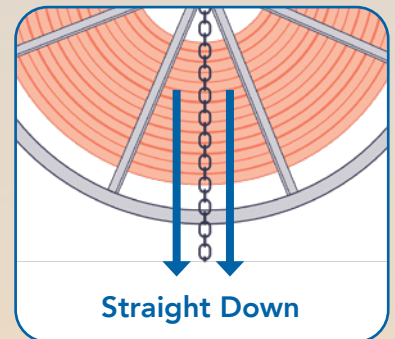
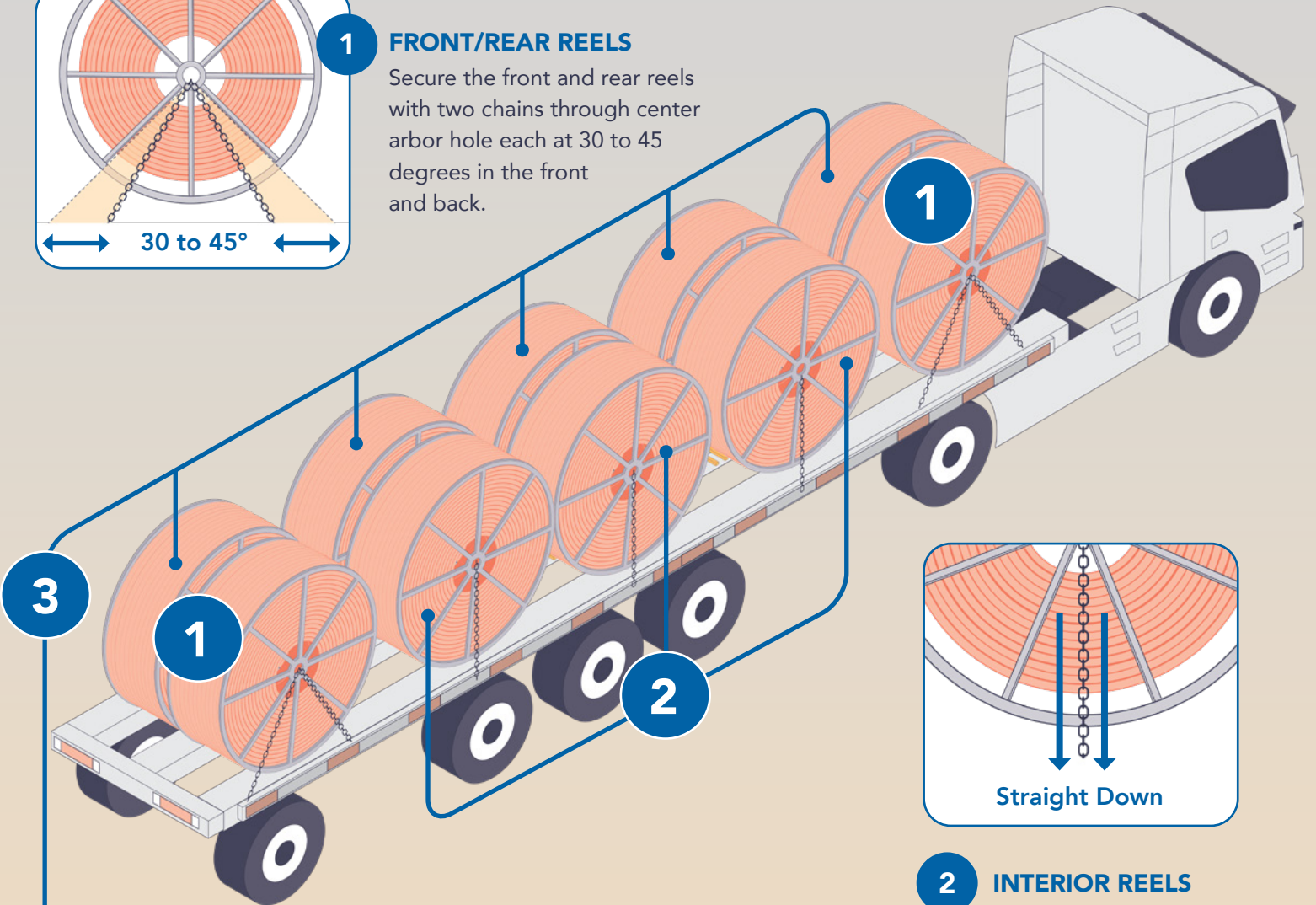
Truck Loading

SUGGESTIONS



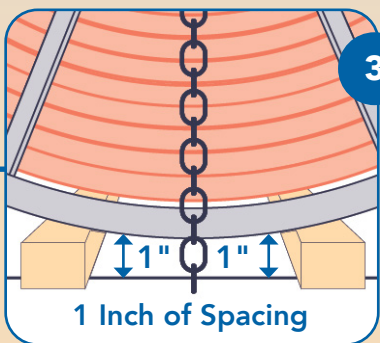
1 FRONT/REAR REELS

Secure the front and rear reels with two chains through center arbor hole each at 30 to 45 degrees in the front and back.



2 INTERIOR REELS

Secure all interior reels with a single chain through center arbor hole straight down.



3 ALL REELS

Leave less than 1" of spacing between the bottom of the reel flange and trailer deck.



When securing a load please first reference the Federal Motor Carrier Safety Administration (FMCSA) and other applicable federal or state regulations. You can use the above illustration as a suggested guide, but always default to FMCSA and other applicable federal or state regulations.



An Orbia Connectivity Solutions business.

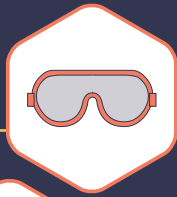
+1 800 847 7661 • www.duraline.com

SAFETY GEAR

Wearing Personal Protective Equipment (PPE) is required while operating on our property.
(If you do not have a safety vest or glasses, we can provide them.)

SAFETY GOGGLES

Protective eyewear must be worn at all times.



GLOVES

Gloves designed to protect hands from sharp metal objects are required while handling reels, dunnage, strapping, chain pullers, chains, binders, straps, and cargo restraint bars.



VEST

High visibility vests must be worn at all times.



FOOTWEAR

Close-toed footwear must be worn at all times. Open-toed shoes (Sandals, flip flops, crocs, etc.) are not to be worn.

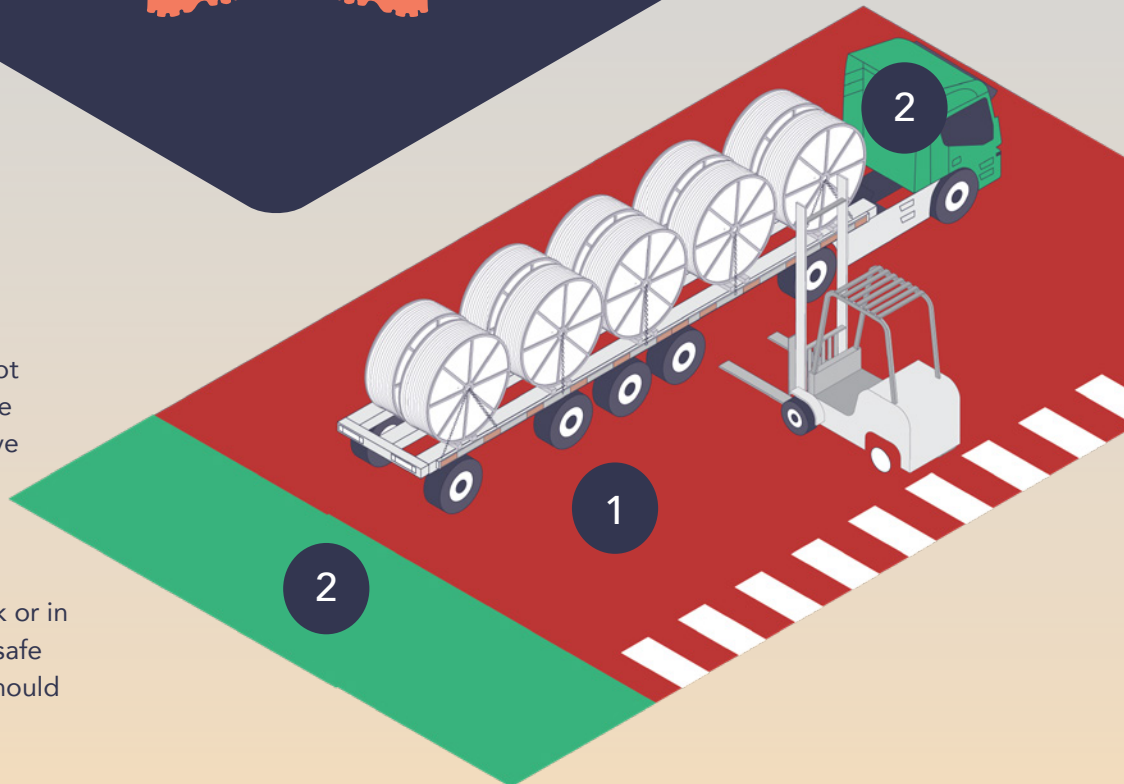


SAFETY PRACTICES

Maintain a safe distance from any ongoing loading or unloading activities to ensure personal safety.

1 Drivers and assistants may not enter the identified RED zone around the truck during active loading.

2 Drivers and assistants should remain in the cab of the truck or in designated 'Safe Area'. The safe areas will vary by plant but should be clearly marked.



Dura-Line, as part of Orbia, is guided by a strong commitment to emphasize a culture of safety. We are on the journey to zero-harm. It's in our fiber. Join us on this journey by moving with safety in mind on your visit today.



An Orbia Connectivity Solutions business.

+1 800 847 7661 • www.duraline.com